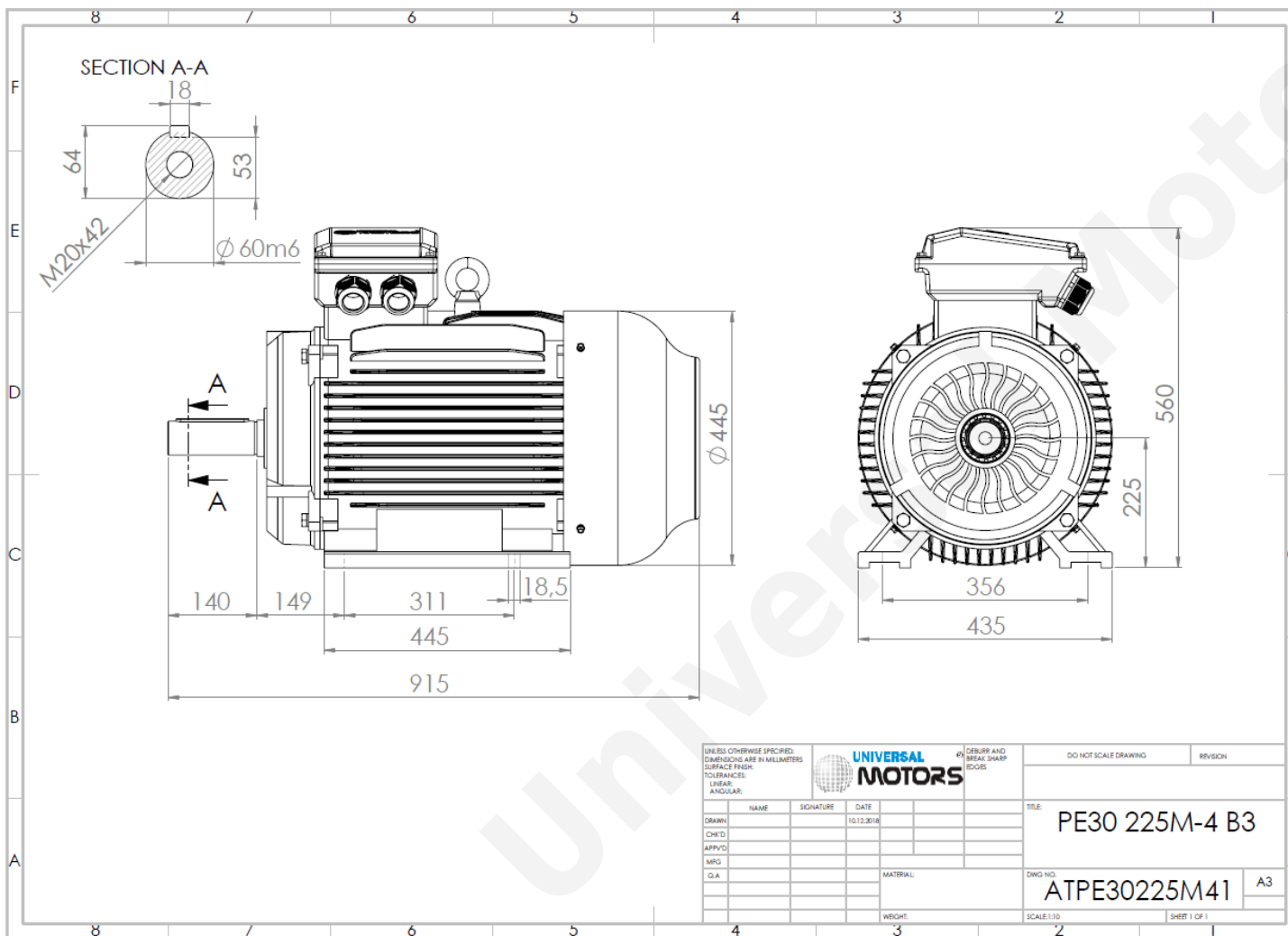




# TECHNICAL DATA

Three Phase Electric Motors - Cast Iron Frame  
 PE30 225 M 4 IE3  
 45 kW / 60 Cv  
 1485 RPM



Motor type:	<b>PE30 225 M 4 IE3</b>
Output:	<b>45 kW / 60 Cv</b>
Speed (min <sup>-1</sup> ):	<b>1485 RPM</b>
Frequency:	<b>50 Hz</b>
Voltage:	<b>400 V</b>
Current:	<b>80.2 A</b>
Power factor (Cos Ø):	<b>0.86</b>
Poles:	<b>4</b>
Insulation class:	<b>F</b>
Temperature rise Class:	<b>B</b>
Efficiency 50%:	<b>93.4 %</b>
Efficiency 75%:	<b>94.6 %</b>
Efficiency 100%:	<b>94.3 %</b>
Torque:	<b>289 N.m</b>
Tstarting/Tnominal:	<b>2.0</b>
Istarting/Inominal:	<b>7.4</b>
Tmaximum/Tnominal:	<b>2.3</b>
Noise:	<b>67 Db(A)</b>
Weight:	<b>373 Kg</b>
Bearing DE:	<b>6313 C3</b>
Bearing NDE:	<b>6313 C3</b>

UNLESS OTHERWISE SPECIFIED: DIMENSIONS ARE IN MILLIMETERS SURFACE FINISH: TOLERANCES: LINEAR: ANGULAR:				UNIVERSAL MOTORS		DEBURR AND BREAK SHARP EDGES		DO NOT SCALE DRAWING		REVISION	
DRAWN	NAME	SIGNATURE	DATE	TITLE: PE30 225M-4 B3				DWG NO. ATPE30225M41			
CHK'D			10.12.2018					SCALE: 1:10			
APP'VD								SHEET 1 OF 1			
MFG											
Q.A.											

Regime - S1

Altitude - 1000m

Environment Temperature - 40°C

**CONTACTS:**

UNIVERSAL MOTORS Tel: +351 252 299 080  
 Rua de São Brás,745 Fax: +351 252 299 089  
 4480-782 VILA DO CONDE Mail: [geral@universalmotors.pt](mailto:geral@universalmotors.pt)

\* References applied only in the UK